

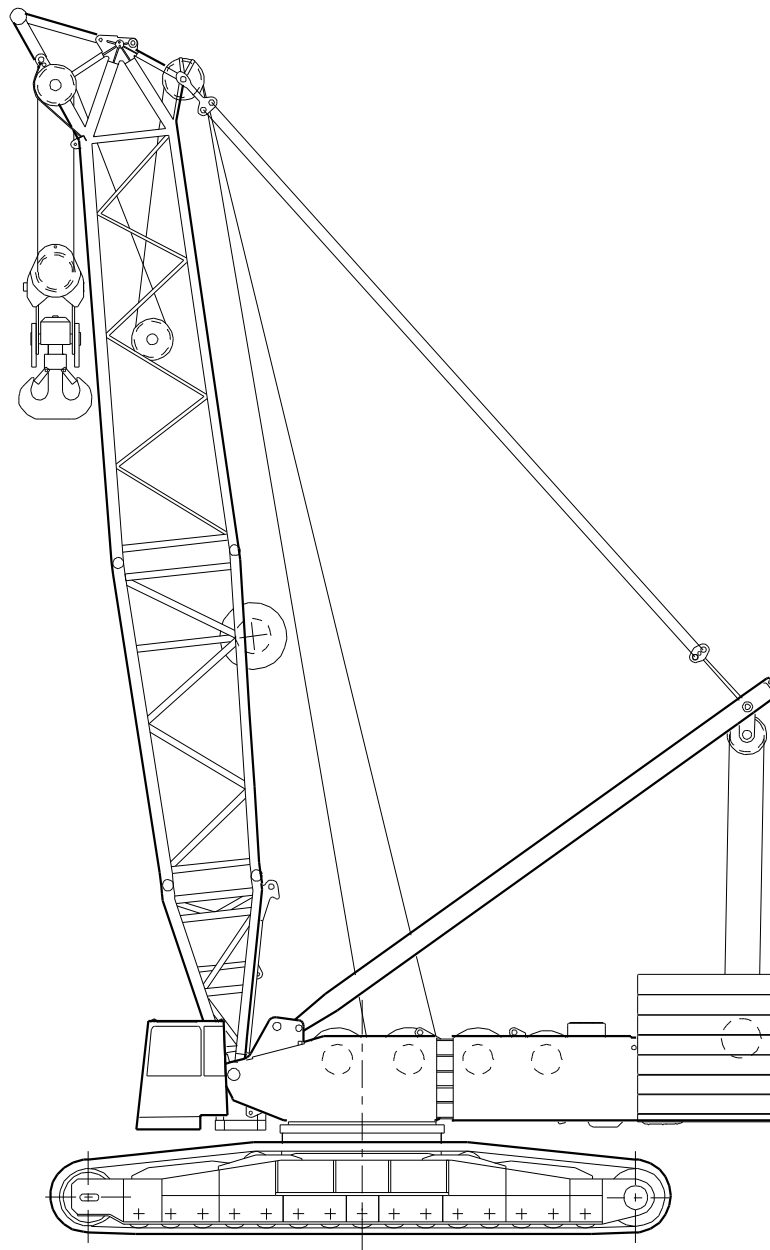


sarens
group

www.sarens.com

TEREX CC 2400

500 TON



nothing too heavy, nothing too high



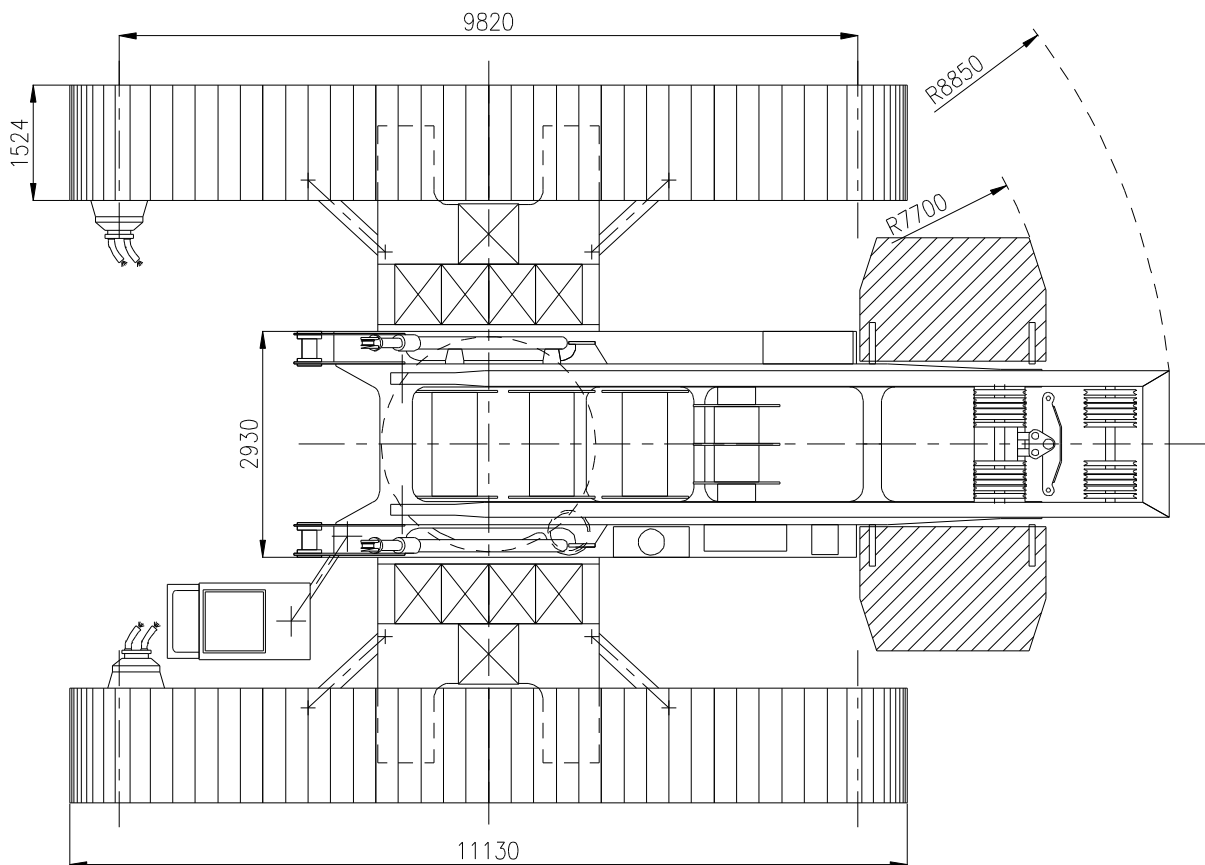
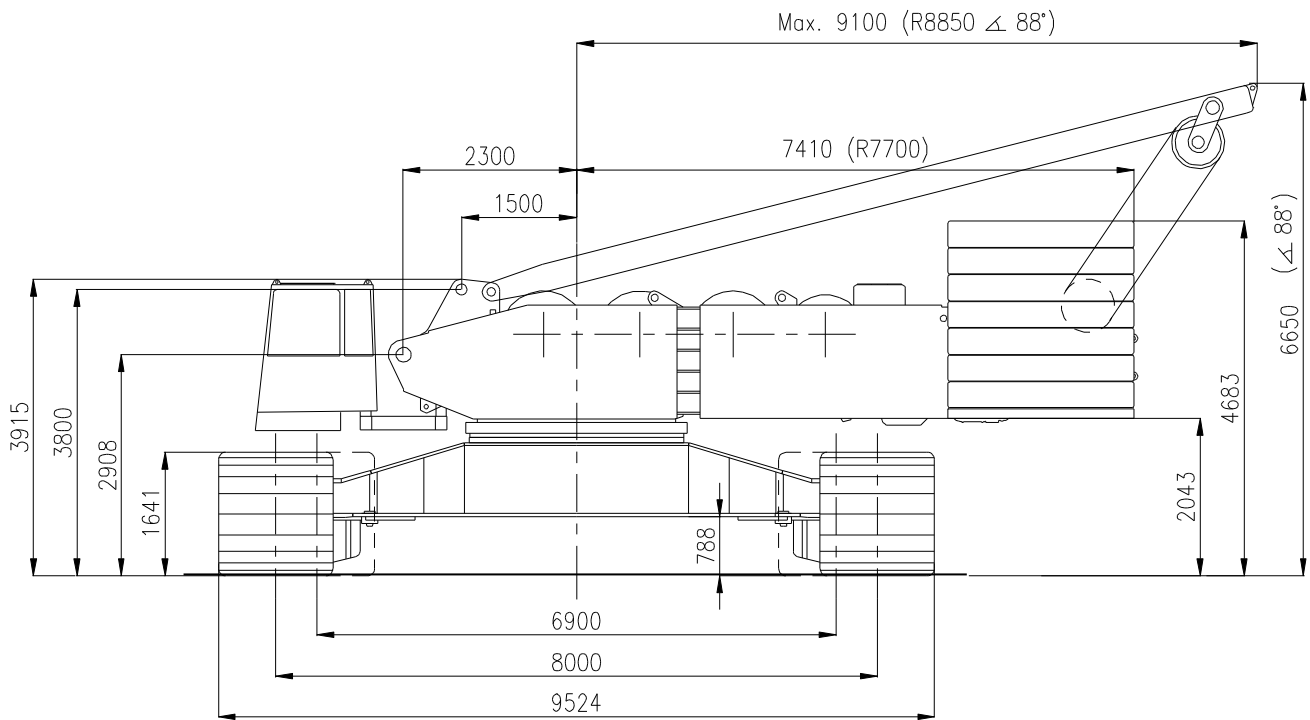


TEREX CC 2400

Dimensions
Dimensions

500 TON

Abmessungen
Afmetingen





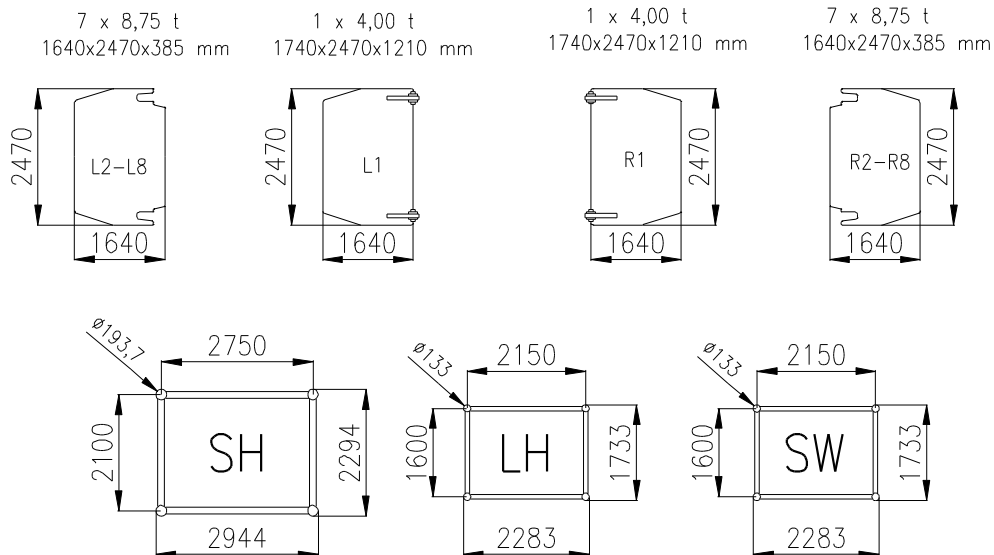
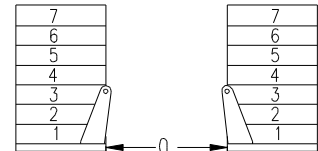
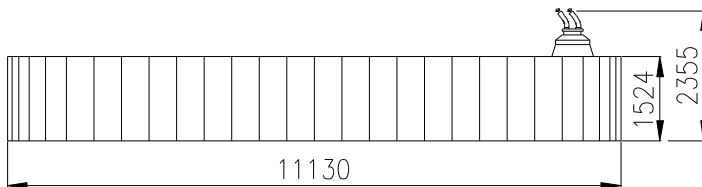
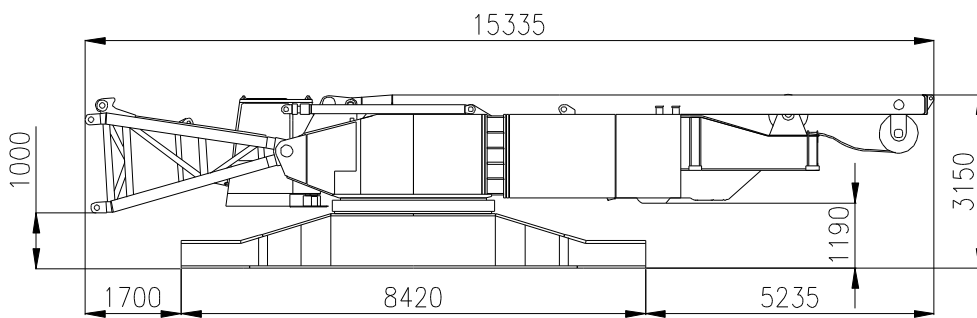
TEREX CC 2400

500 TON

Weight
Poids

Gewicht
Gewicht

Superstructure with carbody + winch I, II, IV Partie supérieure avec carter central + treuil I, II, IV Oberwagen mit Mittelstück + Winde I, II, IV Bovenwagen met centraal onderstelgedeelte + lier I, II, IV	86.8 t
Crawler unit Bâti de chenille Raupe Rups	2 x 41 t
Counterweight + cranebody counterweight Contrepoids + lest central Gegengewicht + Zentralballast Tegengewicht + centraalballast	130.7 t



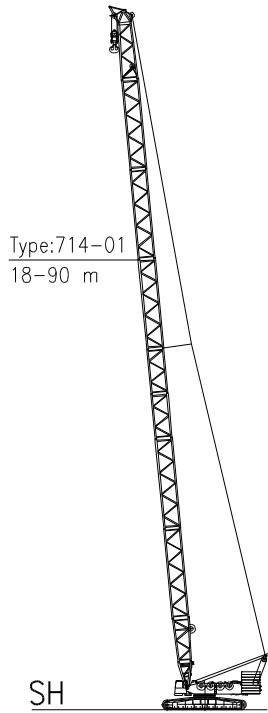


TEREX CC 2400

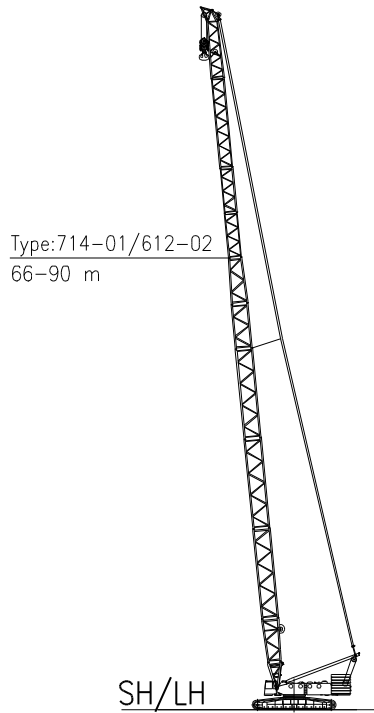
Configurations Configurations

500 TON

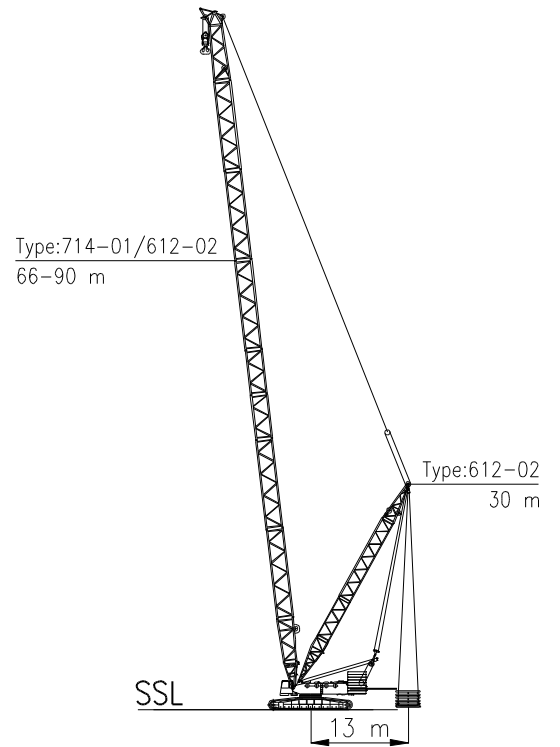
Konfigurationen Configuraties



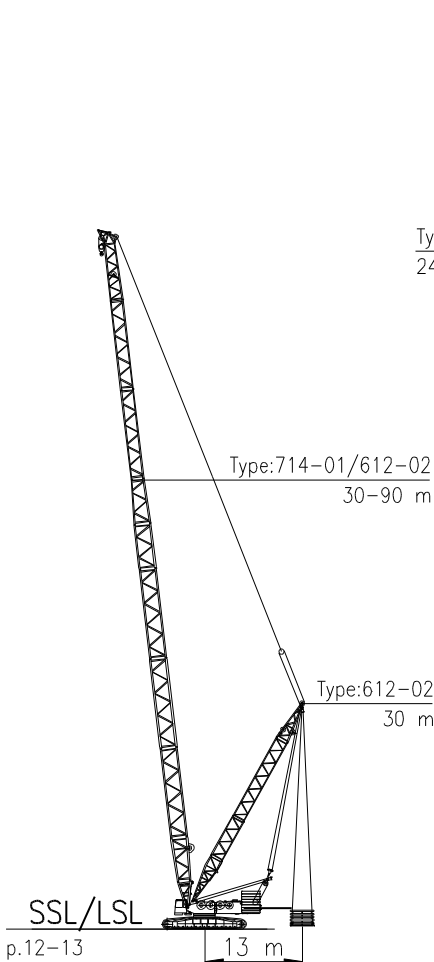
P.6-7



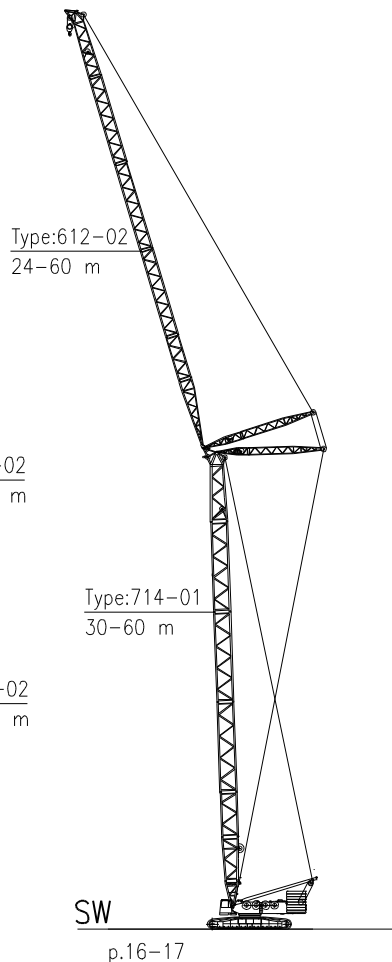
P.6-7



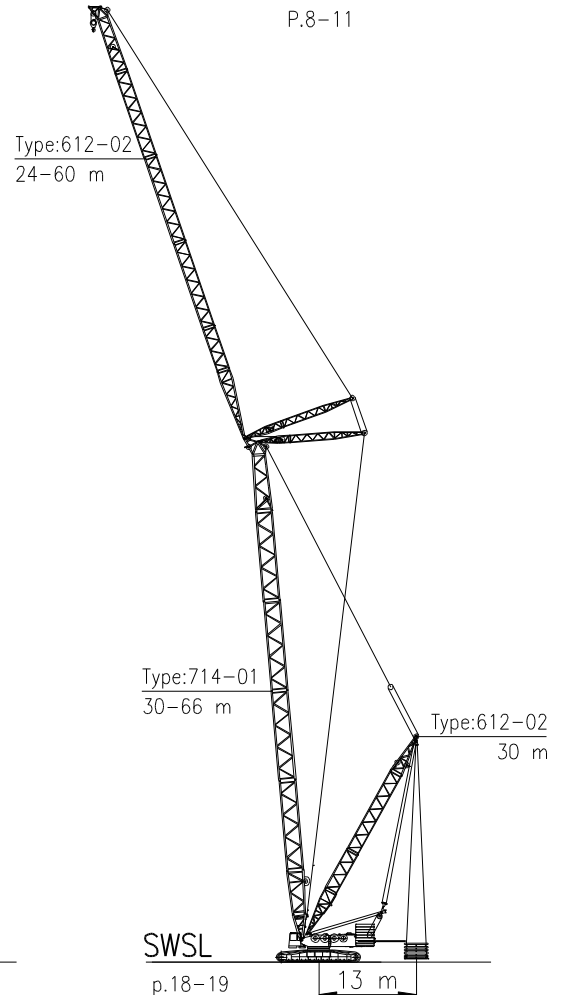
P.8-11



p.12-13



p.16-17



p.18-19

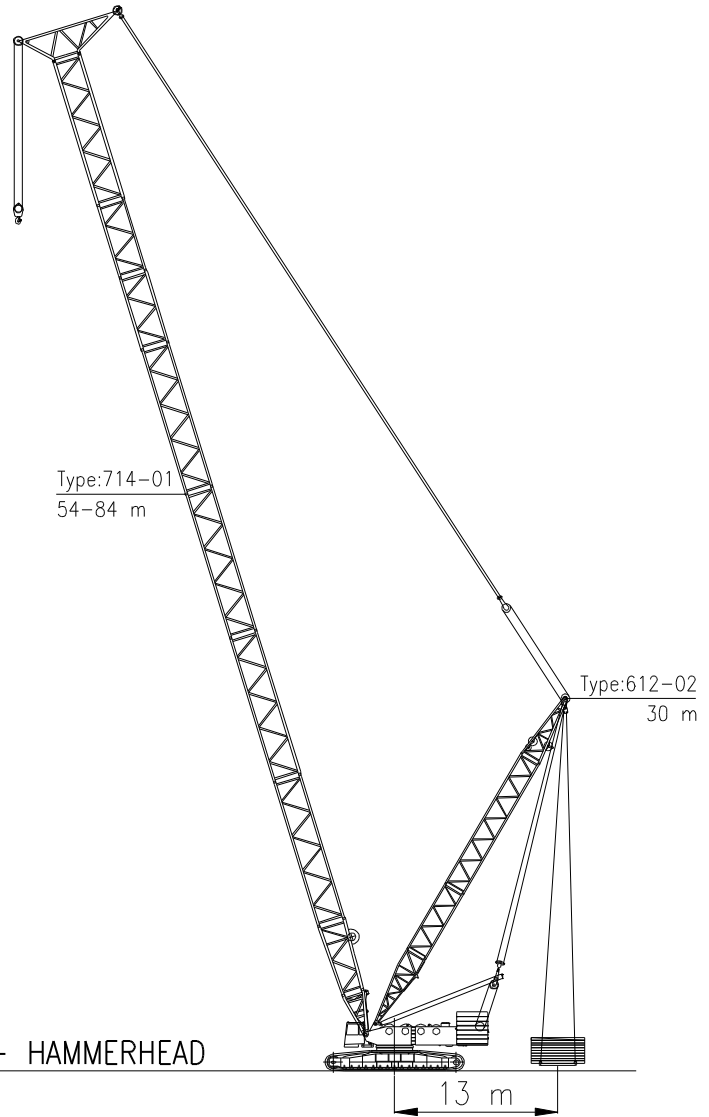
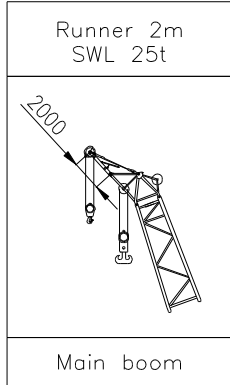


TEREX CC 2400

Configurations
Configurations

500 TON

Konfigurationen
Configuraties



Remark :
Remarque :

Bemerkung :
Opmerking :



Superlift also available with counterweight-carrier
 Contrepoids de superlift aussi disponible sur chariot de contrepoids
 Superlift auch mit Gegengewichtswagen verfügbar
 Superlift ook uitvoerbaar met superliftwagen



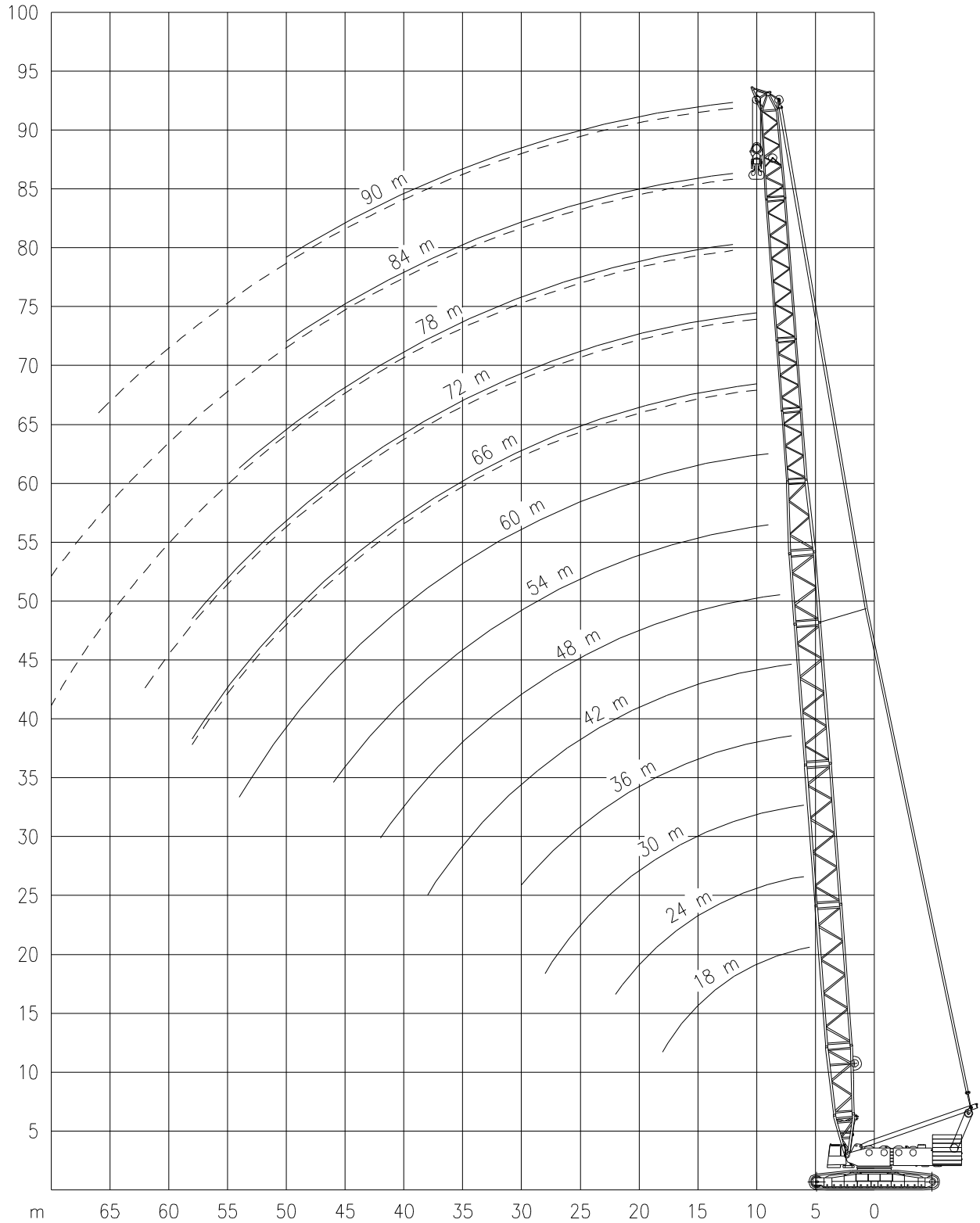
TEREX CC 2400

Working ranges
Portées

500 TON

Arbeitsbereiche
Werkbereich

SH + SH LH



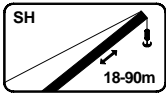


TEREX CC 2400

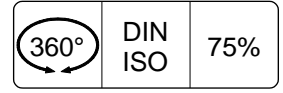
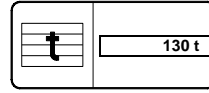
Lifting capacities
Capacités

500 TON

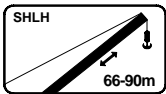
Tragfähigkeiten
Capacités



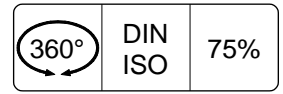
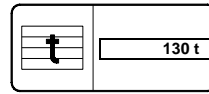
SH



	18m	24m	30m	36m	42m	48m	54m	60m	66m	72m	78m**	84m**	90m**
	t	t	t	t	t	t	t	t	t	t	t	t	t
5.5	450.0 *	-	-	-	-	-	-	-	-	-	-	-	-
6.0	382.0 *	399.0 *	399.0 *	-	-	-	-	-	-	-	-	-	-
7.0	358.0 *	370.0 *	370.0 *	368.0 *	350.0 *	-	-	-	-	-	-	-	-
8.0	315.0 *	315.0 *	313.0 *	312.0 *	310.0 *	309.0 *	-	-	-	-	-	-	-
9.0	269.0 *	268.0 *	267.0 *	266.0 *	265.0 *	264.0 *	263.0 *	262.0 *	-	-	-	-	-
10.0	223.0	222.0	220.0	219.0	218.0	217.0 *	216.0 *	215.0 *	215.0 *	214.0 *	-	-	-
12.0	165.0	163.0	162.0	161.0	160.0	158.0	158.0	157.0 *	156.0 *	155.0 *	155.0 *	154.0 *	141.0 *
14.0	130.0	129.0	127.0	126.0	125.0	123.0	123.0	121.0	121.0	120.0	119.0 *	118.0 *	118.0 *
16.0	107.0	106.0	104.0	103.0	101.0	100.0	99.0	98.0	97.0	97.0	96.0	95.0	94.0
18.0	91.0	89.0	88.0	86.0	85.0	83.0	83.0	81.0	81.0	80.0	79.0	78.0	77.0
20.0	-	77.0	75.0	74.0	72.0	71.0	70.0	69.0	68.0	67.0	66.0	65.0	64.0
22.0	-	67.0	66.0	64.0	63.0	61.0	60.0	59.0	58.0	57.0	57.0	55.0	55.0
24.0	-	-	58.0	56.0	55.0	54.0	53.0	51.0	51.0	50.0	49.0	48.0	47.0
26.0	-	-	52.0	50.0	49.0	47.0	46.0	45.0	44.0	43.0	42.0	41.0	40.0
28.0	-	-	47.0	45.0	43.0	42.0	41.0	40.0	39.0	38.0	37.0	36.0	35.0
30.0	-	-	-	41.0	39.0	38.0	37.0	35.0	34.0	33.0	32.0	31.0	30.0
34.0	-	-	-	-	32.0	31.0	30.0	28.0	27.0	26.0	25.0	23.0	22.0
38.0	-	-	-	-	27.0	25.0	24.0	22.0	21.0	20.0	19.4	17.8	16.8
42.0	-	-	-	-	-	21.0	20.0	18.3	17.2	15.9	14.8	13.2	12.2
46.0	-	-	-	-	-	-	16.7	14.7	13.6	12.3	11.6	9.6	8.5
50.0	-	-	-	-	-	-	-	12.0	10.7	9.3	8.1	6.5	5.5
54.0	-	-	-	-	-	-	-	9.7	8.3	6.9	5.6	-	-
58.0	-	-	-	-	-	-	-	-	6.4	4.9	-	-	-



SH LH



	66m	72m	78m	84m	90m**
	t	t	t	t	t
10.0	210.0 *	175.0 *	-	-	-
12.0	160.0 *	159.0 *	145.0 *	125.0 *	110.0 *
14.0	125.0	124.0 *	123.0 *	120.0 *	105.0 *
16.0	101.0	100.0	100.0	100.0 *	99.0 *
18.0	85.0	83.0	83.0	83.0	83.0
20.0	72.0	71.0	70.0	70.0	70.0
22.0	62.0	61.0	61.0	60.0	60.0
24.0	55.0	53.0	53.0	53.0	52.0
26.0	48.0	47.0	46.0	46.0	46.0
28.0	43.0	41.0	41.0	41.0	40.0
30.0	39.0	37.0	37.0	36.0	36.0
34.0	31.0	30.0	29.0	29.0	29.0
38.0	26.0	24.0	24.0	23.0	23.0
42.0	22.0	20.0	19.5	19.2	18.5
46.0	18.4	16.4	15.8	15.5	14.8
50.0	15.5	13.5	12.8	12.5	11.7
54.0	13.2	11.1	10.3	10.0	9.1
58.0	11.2	9.0	8.3	7.8	6.9
62.0	-	7.4	6.5	6.0	5.0
66.0	-	-	5.0	4.5	3.4
70.0	-	-	3.8	3.2	-

* Double hook block required
** Boom erection by auxiliary crane only



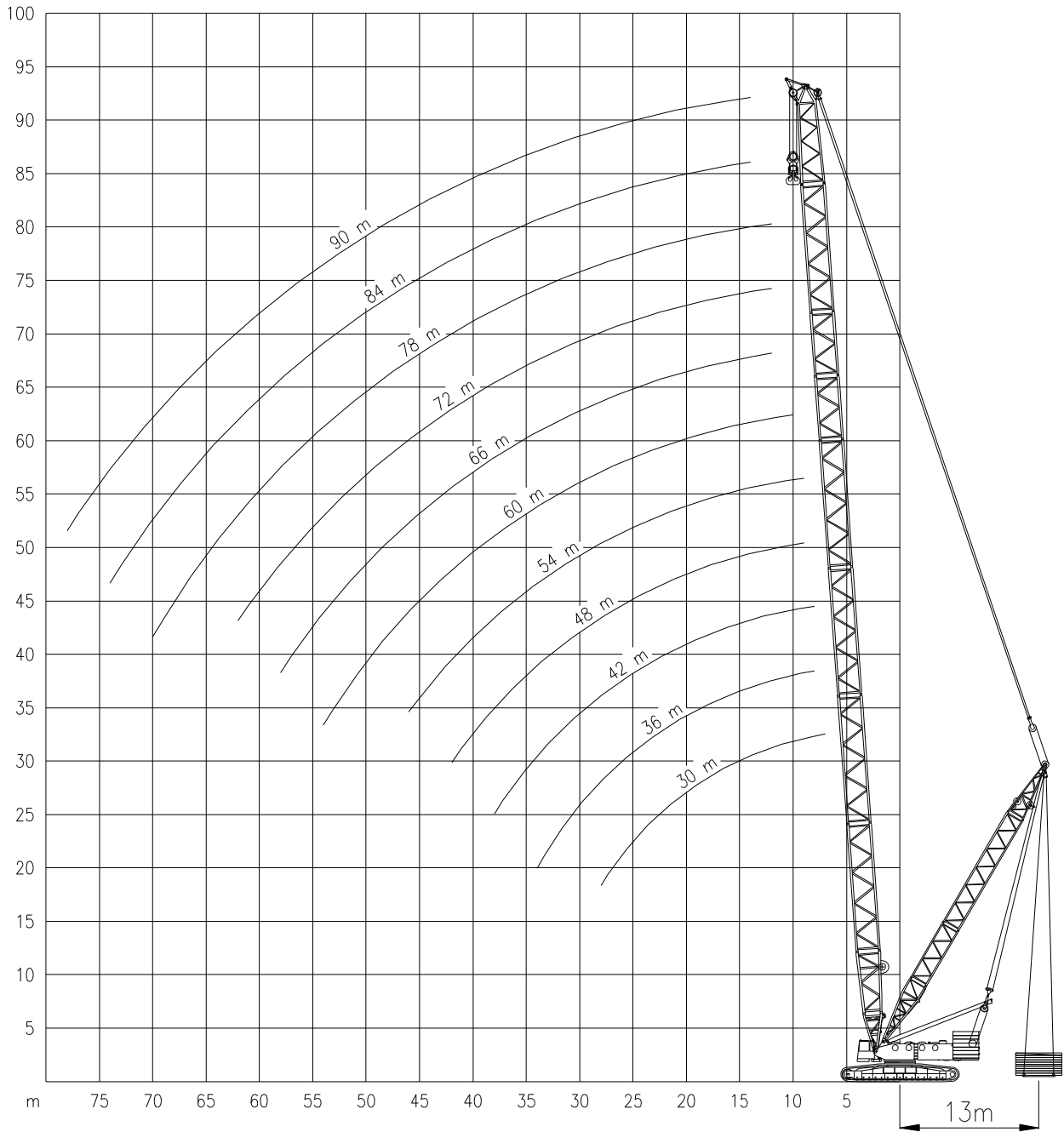
TEREX CC 2400

Working ranges
Portées

500 TON

Arbeitsbereiche
Werkbereich

SSL





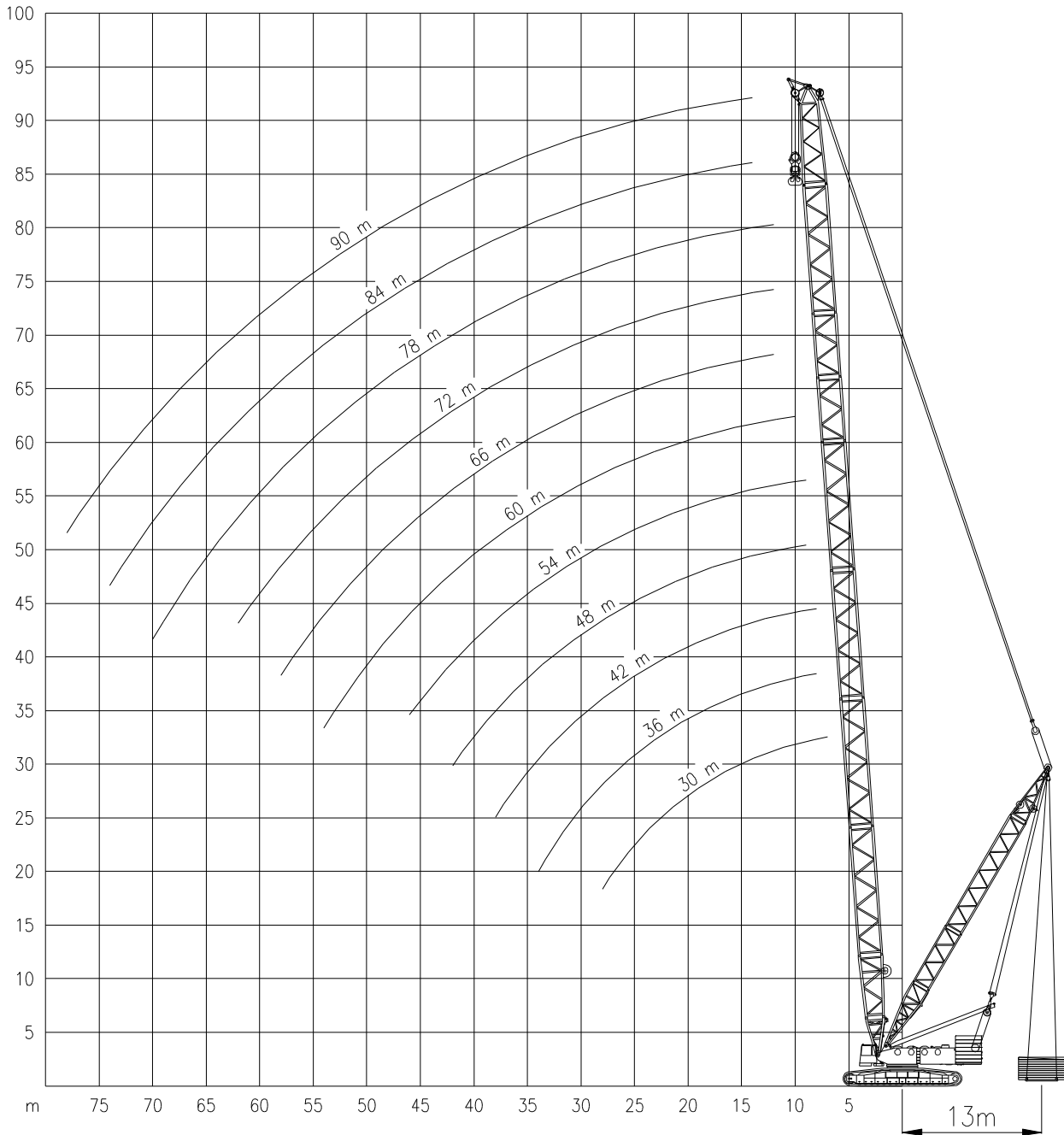
TEREX CC 2400

Working ranges
Portées

500 TON

Arbeitsbereiche
Werkbereich

SSL





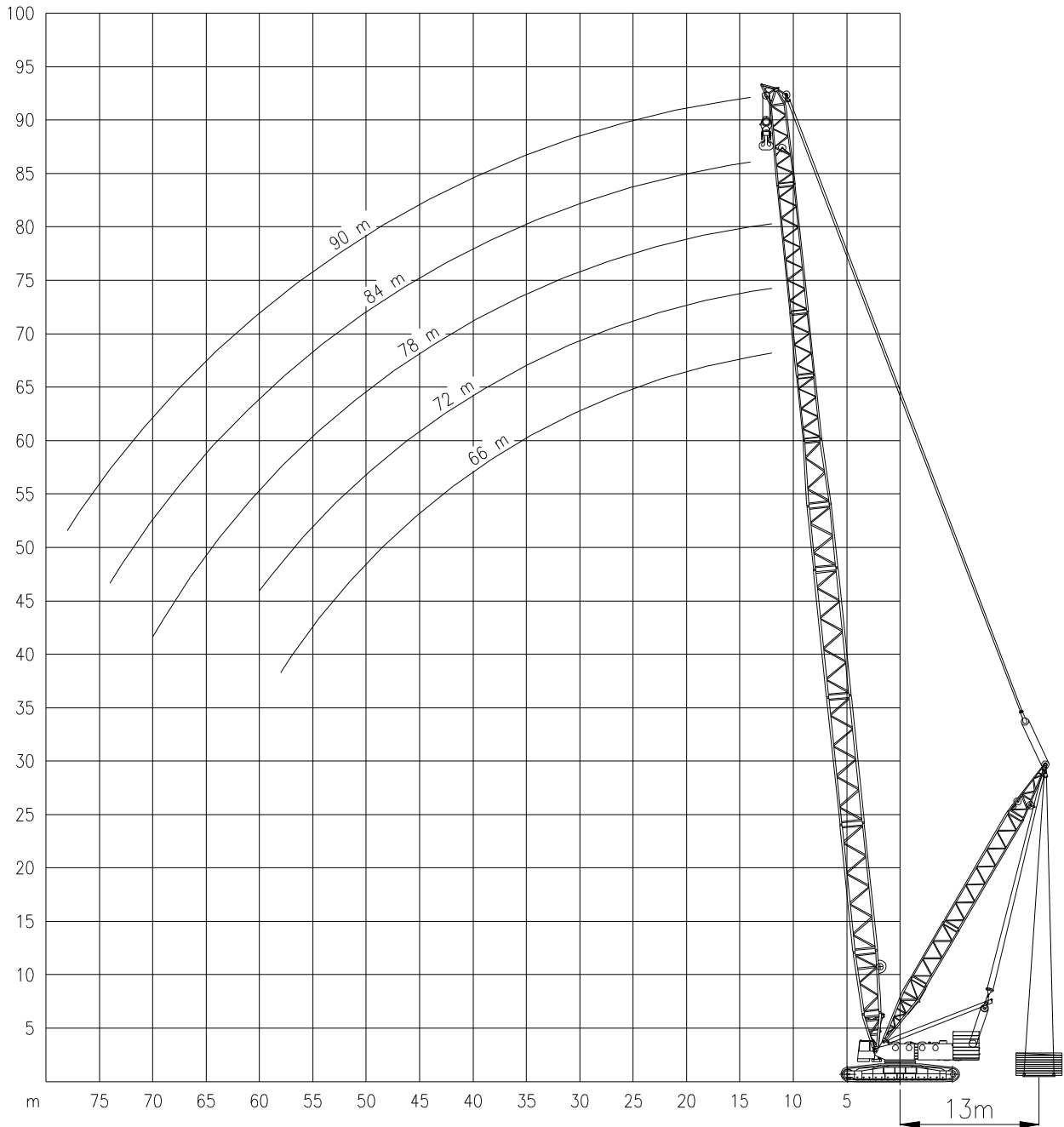
TEREX CC 2400

Working ranges
Portées

500 TON

Arbeitsbereiche
Werkbereich

SSL LSL





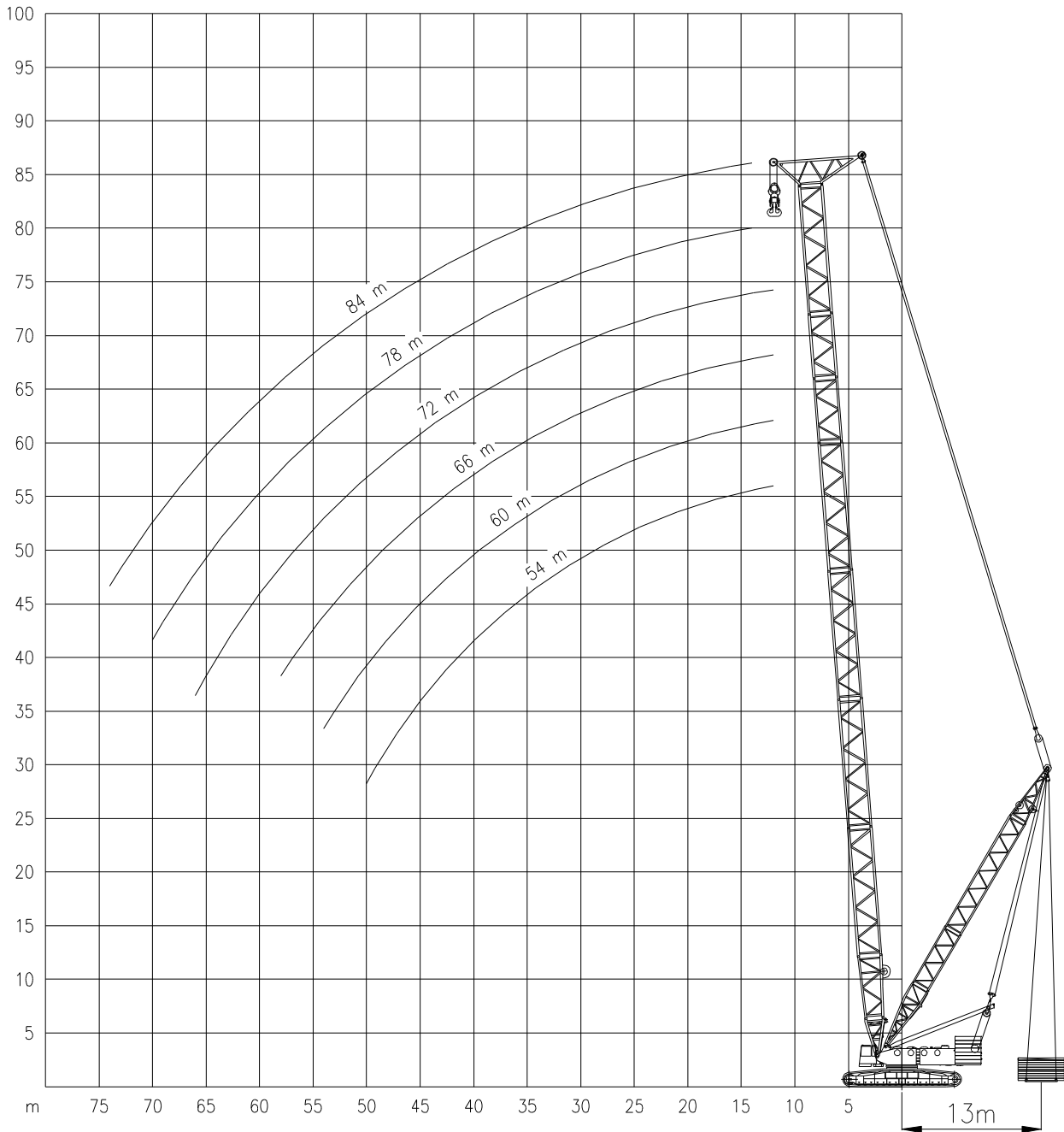
TEREX CC 2400

Working ranges
Portées

500 TON

Arbeitsbereiche
Werkbereich

SSL Hammerhead



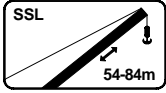
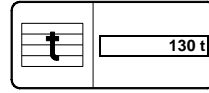


TEREX CC 2400

500 TON

Lifting capacities Capacités

Tragfähigkeiten Capaciteiten

**SSL HAMMERHEAD**DIN
ISO

75%

m	54 m							60 m						
	0 t	50 t	100 t	150 t	175 t	200 t	225 t	0 t	50 t	100 t	150 t	175 t	200 t	225 t
12.0	168.0*	254.0*	282.0*	-	-	-	-	167.0*	244.0*	282.0*	-	-	-	-
14.0	130.0	192.0*	252.0*	182.0*	-	-	-	129.0	191.0*	251.0*	282.0*	-	-	-
16.0	106.0	157.0*	209.0*	251.0*	267.0*	282.0*	-	105.0	156.0*	208.0*	250.0*	266.0*	280.0*	282.0*
18.0	88.0	132.0	177.0*	220.0*	235.0*	249.0*	262.0*	87.0	131.0*	176.0*	219.0*	234.0*	248.0*	261.0*
20.0	75.0	114.0	152.0	191.0*	209.0*	223.0*	235.0*	74.0	113.0	151.0*	190.0*	208.0*	221.0*	234.0*
22.0	65.0	99.0	133.0	168.0*	185.0*	200.0*	212.0*	63.0	98.0	132.0*	167.0*	184.0*	199.0*	211.0*
24.0	56.0	87.0	118.0	149.0	165.0*	180.0*	193.0*	55.0	86.0	117.0	148.0*	164.0*	179.0*	191.0*
26.0	50.0	78.0	106.0	134.0	148.0	162.0*	176.0*	49.0	77.0	105.0	133.0*	147.0*	161.0*	175.0*
28.0	44.0	70.0	96.0	122.0	135.0	147.0	160.0*	43.0	69.0	95.0	120.0	133.0*	146.0*	159.0*
30.0	39.0	63.0	87.0	111.0	123.0	135.0	147.0	38.0	62.0	86.0	110.0	122.0	134.0*	146.0*
34.0	32.0	53.0	73.0	94.0	104.0	115.0	125.0	31.0	51.0	72.0	93.0	103.0	113.0	124.0
38.0	26.0	45.0	63.0	81.0	90.0	99.0	108.0	25.0	43.0	62.0	80.0	89.0	98.0	107.0
42.0	22.0	38.0	55.0	71.0	79.0	87.0	95.0	20.0	37.0	53.0	70.0	78.0	86.0	94.0
46.0	18.4	33.0	48.0	63.0	70.0	78.0	85.0	16.8	32.0	47.0	61.0	69.0	76.0	84.0
50.0	15.6	29.0	43.0	56.0	63.0	70.0	76.0	13.8	28.0	41.0	55.0	61.0	68.0	75.0
54.0	-	-	-	-	-	-	-	11.4	24.0	37.0	49.0	55.0	62.0	68.0
	66 m							72 m						
12.0	166.0*	235.0*	-	-	-	-	-	165.0*	230.0*	-	-	-	-	-
14.0	129.0	191.0*	235.0*	-	-	-	-	128.0*	190.0*	230.0*	-	-	-	-
16.0	104.0	156.0*	207.0*	235.0*	-	-	-	103.0	155.0*	207.0*	230.0*	-	-	-
18.0	86.0	131.0*	175.0*	218.0*	233.0*	235.0*	-	86.0	130.0*	174.0*	217.0*	230.0*	-	-
20.0	73.0	112.0	151.0*	189.0*	207.0*	220.0*	233.0*	72.0	111.0*	150.0*	189.0*	206.0*	219.0*	230.0*
22.0	63.0	97.0	132.0*	166.0*	183.0*	198.0*	210.0*	62.0	96.0	131.0*	165.0*	182.0*	197.0*	209.0*
24.0	55.0	86.0	117.0	148.0*	163.0*	179.0*	190.0*	54.0	85.0	116.0*	147.0*	162.0*	178.0*	189.0*
26.0	48.0	76.0	94.0	132.0*	146.0*	161.0*	174.0*	47.0	75.0	103.0	131.0*	146.0*	160.0*	173.0*
28.0	42.0	68.0	85.0	120.0	133.0*	146.0*	158.0*	41.0	67.0	93.0	119.0*	132.0*	145.0*	158.0*
30.0	38.0	61.0	71.0	109.0	121.0	133.0*	145.0*	37.0	60.0	84.0	108.0*	120.0*	132.0*	144.0*
34.0	30.0	51.0	61.0	92.0	102.0	113.0	123.0	29.0	50.0	70.0	91.0	101.0	112.0*	122.0*
38.0	24.0	42.0	52.0	79.0	88.0	97.0	106.0	23.0	41.0	60.0	78.0	87.0	96.0	105.0
42.0	19.4	36.0	46.0	69.0	77.0	85.0	93.0	18.2	35.0	51.0	68.0	76.0	84.0	92.0
46.0	15.6	31.0	40.0	60.0	68.0	75.0	83.0	14.4	30.0	45.0	59.0	67.0	74.0	81.0
50.0	12.6	26.0	36.0	54.0	60.0	67.0	74.0	11.2	25.0	39.0	53.0	59.0	66.0	73.0
54.0	10.0	23.0	32.0	48.0	54.0	60.0	67.0	8.6	21.0	34.0	47.0	53.0	59.0	65.0
58.0	8.0	20.0	29.0	43.0	49.0	55.0	61.0	6.5	18.7	30.0	42.0	48.0	54.0	59.0
62.0	-	-	-	-	-	-	-	4.7	16.1	27.0	38.0	43.0	49.0	54.0
66.0	-	-	-	-	-	-	-	3.2	13.9	24.0	34.0	39.0	44.0	49.0
	78 m							84 m						
14.0	127.0*	188.0*	-	-	-	-	-	127.0*	175.0*	-	-	-	-	-
16.0	103.0	154.0*	188.0*	-	-	-	-	102.0*	153.0*	170.0*	-	-	-	-
18.0	85.0	129.0*	173.0*	188.0*	-	-	-	84.0*	128.0*	165.0*	-	-	-	-
20.0	71.0	110.0*	149.0*	185.0*	-	-	-	71.0	109.0*	148.0*	160.0*	-	-	-
22.0	61.0	96.0	130.0*	164.0*	180.0*	-	-	60.0	95.0*	129.0*	155.0*	-	-	-
24.0	53.0	84.0	115.0*	146.0*	161.0*	175.0*	-	52.0	83.0*	114.0*	145.0*	150.0*	-	-
26.0	46.0	74.0	102.0	131.0*	145.0*	159.0*	170.0*	45.0	73.0	102.0*	130.0*	144.0*	-	-
28.0	40.0	66.0	92.0	118.0*	131.0*	144.0*	157.0*	40.0	65.0	91.0*	117.0*	130.0*	138.0*	-
30.0	36.0	59.0	83.0	107.0*	119.0*	131.0*	143.0*	35.0	59.0	83.0	106.0*	118.0*	130.0*	132.0*
34.0	28.0	49.0	69.0	90.0	100.0	111.0*	121.0*	27.0	48.0	69.0	89.0*	100.0*	110.0*	119.0*
38.0	21.0	40.0	59.0	77.0	86.0	95.0	104.0	20.0	40.0	58.0	76.0	85.0*	94.0*	103.0*
42.0	17.1	34.0	50.0	67.0	75.0	83.0	91.0	16.0	33.0	49.0	66.0	74.0	82.0	90.0*
46.0	13.2	28.0	44.0	58.0	66.0	73.0	80.0	12.1	27.0	43.0	57.0	65.0	72.0	80.0
50.0	10.0	24.0	38.0	51.0	58.0	65.0	72.0	8.9	23.0	37.0	51.0	57.0	64.0	71.0
54.0	7.4	20.0	33.0	46.0	52.0	58.0	64.0	6.2	19.4	32.0	45.0	51.0	57.0	63.0
58.0	5.2	17.4	29.0	41.0	47.0	52.0	58.0	4.0	16.2	28.0	40.0	46.0	51.0	57.0
62.0	3.3	14.7	26.0	37.0	42.0	47.0	53.0	-	13.4	24.0	36.0	41.0	46.0	52.0
66.0	-	12.4	23.0	33.0	38.0	43.0	48.0	-	11.1	21.0	32.0	37.0	42.0	47.0
70.0	-	10.4	20.0	30.0	35.0	40.0	44.0	-	9.0	19.0	29.0	34.0	38.0	43.0
74.0	-	-	-	-	-	-	-	-	7.3	16.7	26.0	30.0	35.0	40.0

* Double hook block required



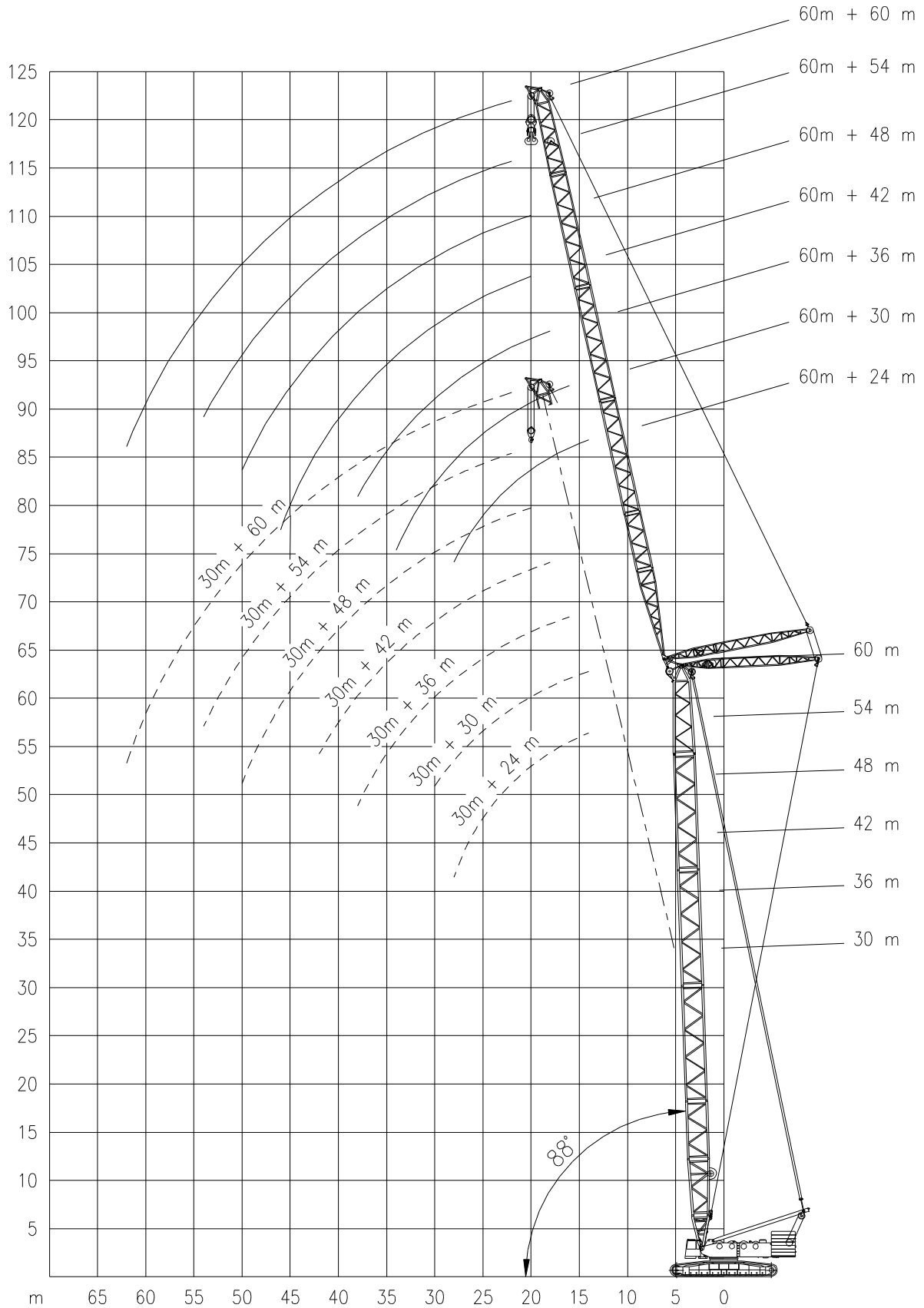
TEREX CC 2400

Working ranges
Portées

500 TON

Arbeitsbereiche
Werkbereich

SW



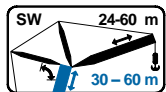


TEREX CC 2400

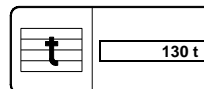
Lifting capacities
Capacités

500 TON

Tragfähigkeiten
Capacités



SW 88°



m	30 m							36 m						
	24m	30m	36m	42m	48m	54m	60m	24m	30m	36m	42m	48m	54m	60m
14.0	130.0	129.0	-	-	-	-	-	129.0	-	-	-	-	-	-
16.0	107.0	106.0	105.0	-	-	-	-	106.0	105.0	105.0	-	-	-	-
18.0	90.0	90.0	89.0	88.0	-	-	-	90.0	89.0	88.0	88.0	-	-	-
20.0	78.0	77.0	77.0	76.0	75.0	-	-	78.0	77.0	76.0	76.0	75.0	-	-
22.0	69.0	68.0	67.0	67.0	66.0	65.0	63.0	68.0	67.0	67.0	66.0	66.0	65.0	60.0
24.0	61.0	60.0	60.0	59.0	58.0	58.0	57.0	61.0	60.0	59.0	59.0	58.0	57.0	57.0
26.0	55.0	54.0	53.0	53.0	52.0	51.0	51.0	55.0	54.0	53.0	52.0	52.0	51.0	50.0
28.0	50.0	49.0	48.0	48.0	47.0	46.0	46.0	50.0	49.0	48.0	47.0	47.0	46.0	45.0
30.0	-	45.0	44.0	43.0	43.0	42.0	41.0	-	44.0	44.0	43.0	42.0	42.0	41.0
34.0	-	-	37.0	36.0	36.0	35.0	34.0	-	-	37.0	36.0	35.0	35.0	34.0
38.0	-	-	32.0	31.0	30.0	30.0	29.0	-	-	32.0	31.0	30.0	29.0	29.0
42.0	-	-	-	27.0	26.0	25.0	25.0	-	-	-	27.0	26.0	25.0	24.0
46.0	-	-	-	-	23.0	22.0	21.0	-	-	-	-	23.0	22.0	21.0
50.0	-	-	-	-	20.0	19.7	18.9	-	-	-	-	20.0	19.5	18.7
54.0	-	-	-	-	-	17.4	16.5	-	-	-	-	-	17.2	16.3
58.0	-	-	-	-	-	-	14.4	-	-	-	-	-	-	14.2
62.0	-	-	-	-	-	-	12.7	-	-	-	-	-	-	12.5

m	42 m							48 m						
	24m	30m	36m	42m	48m	54m	60m	24m	30m	36m	42m	48m	54m	60m
14.0	128.0*	-	-	-	-	-	-	128.0*	-	-	-	-	-	-
16.0	106.0	105.0	104.0*	-	-	-	-	105.0	104.0	-	-	-	-	-
18.0	89.0	89.0	88.0	87.0	-	-	-	89.0	88.0	87.0	87.0	-	-	-
20.0	77.0	76.0	76.0	75.0	75.0	-	-	77.0	76.0	75.0	75.0	74.0	-	-
22.0	68.0	67.0	66.0	66.0	65.0	64.0	-	67.0	66.0	66.0	65.0	65.0	62.0	-
24.0	60.0	59.0	59.0	58.0	58.0	57.0	56.0	60.0	59.0	58.0	58.0	57.0	57.0	54.0
26.0	54.0	53.0	53.0	52.0	51.0	51.0	50.0	54.0	53.0	52.0	52.0	51.0	50.0	50.0
28.0	49.0	48.0	47.0	47.0	46.0	46.0	45.0	49.0	48.0	47.0	46.0	46.0	45.0	45.0
30.0	-	44.0	43.0	43.0	42.0	41.0	41.0	-	44.0	43.0	42.0	42.0	41.0	40.0
34.0	-	37.0	36.0	36.0	35.0	34.0	34.0	-	37.0	36.0	35.0	35.0	34.0	33.0
38.0	-	-	31.0	30.0	30.0	29.0	28.0	-	-	31.0	30.0	29.0	29.0	28.0
42.0	-	-	-	26.0	26.0	25.0	24.0	-	-	-	26.0	25.0	25.0	24.0
46.0	-	-	-	-	22.0	22.0	21.0	-	-	-	-	22.0	21.0	21.0
50.0	-	-	-	-	20.0	19.3	18.5	-	-	-	-	19.9	19.0	18.2
54.0	-	-	-	-	-	16.9	16.0	-	-	-	-	-	16.7	15.8
58.0	-	-	-	-	-	-	14.0	-	-	-	-	-	-	13.8
62.0	-	-	-	-	-	-	12.3	-	-	-	-	-	-	12.1

m	54 m							60 m						
	24m	30m	36m	42m	48m	54m	60m	24m	30m	36m	42m	48m	54m	60m
14.0	127.0*	-	-	-	-	-	-	126.0*	-	-	-	-	-	-
16.0	104.0*	103.0*	-	-	-	-	-	103.0*	103.0*	-	-	-	-	-
18.0	88.0	87.0	87.0*	86.0	-	-	-	87.0*	87.0*	86.0*	-	-	-	-
20.0	76.0	75.0	75.0	74.0	72.0	-	-	75.0	75.0	74.0*	73.0*	70.0	-	-
22.0	67.0	66.0	65.0	65.0	64.0	60.0	-	66.0	65.0	65.0	64.0	64.0	58.0	48.0
24.0	59.0	58.0	58.0	57.0	57.0	56.0	50.0	59.0	58.0	57.0	57.0	56.0	56.0	48.0
26.0	53.0	52.0	52.0	51.0	51.0	50.0	49.0	53.0	52.0	51.0	51.0	50.0	50.0	48.0
28.0	48.0	47.0	47.0	46.0	46.0	45.0	44.0	48.0	47.0	46.0	46.0	45.0	45.0	44.0
30.0	-	43.0	42.0	42.0	41.0	41.0	40.0	-	43.0	42.0	41.0	41.0	40.0	40.0
34.0	-	36.0	36.0	35.0	34.0	34.0	33.0	-	36.0	35.0	34.0	34.0	33.0	33.0
38.0	-	-	30.0	30.0	29.0	28.0	28.0	-	-	30.0	29.0	29.0	28.0	28.0
42.0	-	-	-	26.0	25.0	24.0	24.0	-	-	-	25.0	25.0	24.0	23.0
46.0	-	-	-	23.0	22.0	21.0	20.0	-	-	-	22.0	21.0	21.0	20.0
50.0	-	-	-	-	19.6	18.8	17.9	-	-	-	-	19.3	18.4	17.6
54.0	-	-	-	-	-	16.4	15.5	-	-	-	-	-	16.1	15.3
58.0	-	-	-	-	-	-	13.5	-	-	-	-	-	-	13.3
62.0	-	-	-	-	-	-	11.8	-	-	-	-	-	-	11.6

* Double hook block required



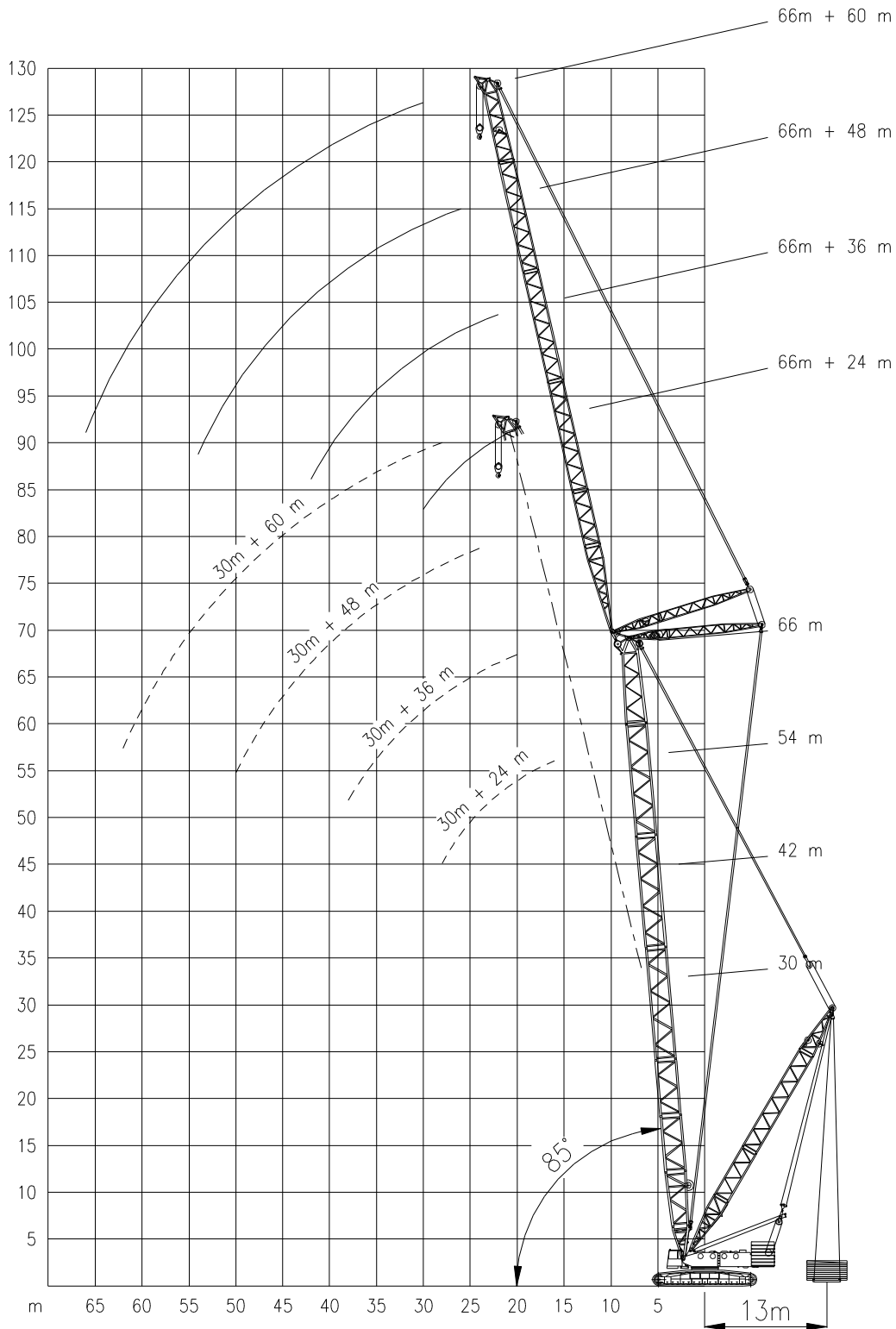
TEREX CC 2400

Working ranges
Portées

500 TON

Arbeitsbereiche
Werkbereich

SWSL



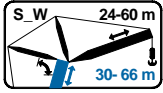


TEREX CC 2400

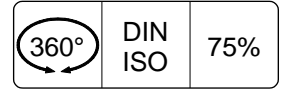
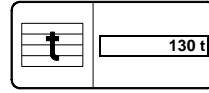
Lifting capacities
Capacités

500 TON

Tragfähigkeiten
Capacités



SWSL-85°



Main Boom	Fly Jib	m	0t	50t	100t	150t	175t	200t	225t
			t	t	t	t	t	t	t
30 m	24 m	16.0	113.0	163.0*	-	-	-	-	-
		18.0	96.0	141.0	163.0*	-	-	-	-
		20.0	83.0	122.0	153.0*	-	-	-	-
		22.0	73.0	108.0	143.0*	146.0*	-	-	-
		24.0	65.0	96.0	128.0	138.0	-	-	-
		26.0	58.0	87.0	116.0	131.0	-	-	-
	36 m	28.0	53.0	79.0	106.0	122.0	-	-	-
		20.0	81.0	121.0*	133.0*	-	-	-	-
		22.0	71.0	106.0	133.0*	-	-	-	-
		24.0	63.0	95.0	126.0*	-	-	-	-
		26.0	57.0	85.0	114.0	120.0*	-	-	-
		28.0	51.0	78.0	104.0	114.0	-	-	-
	48 m	30.0	47.0	71.0	95.0	109.0	-	-	-
		34.0	39.0	60.0	81.0	97.0	-	-	-
		38.0	34.0	52.0	71.0	86.0	-	-	-
		24.0	62.0	93.0	101.0	-	-	-	-
		26.0	55.0	84.0	101.0	-	-	-	-
		28.0	50.0	76.0	101.0	-	-	-	-
	60 m	30.0	45.0	70.0	94.0	104.0	-	-	-
		34.0	38.0	59.0	80.0	100.0	-	-	-
		38.0	32.0	51.0	70.0	88.0	-	-	-
		42.0	28.0	45.0	61.0	78.0	-	-	-
		46.0	24.0	39.0	55.0	67.0	-	-	-
		50.0	22.0	35.0	49.0	56.0	-	-	-
54 m	24 m	28.0	48.0	72.0	-	-	-	-	-
		30.0	44.0	68.0	72.0	-	-	-	-
		34.0	36.0	57.0	72.0	-	-	-	-
	36 m	38.0	31.0	49.0	68.0	72.0	-	-	-
		42.0	26.0	43.0	60.0	68.0	-	-	-
		46.0	23.0	38.0	53.0	62.0	-	-	-
		50.0	20.0	34.0	47.0	56.0	-	-	-
		54.0	17.8	30.0	43.0	51.0	-	-	-
		58.0	15.6	27.0	39.0	45.0	-	-	-
	48 m	62.0	13.8	25.0	35.0	38.0	-	-	-
		20.0	78.0	118.0*	157.0*	163.0*	-	-	-
		22.0	68.0	104.0*	139.0*	157.0*	-	-	-
24.0		61.0	92.0	124.0*	150.0*	-	-	-	
26.0		55.0	83.0	112.0*	141.0*	-	-	-	
28.0		49.0	76.0	102.0*	128.0*	-	-	-	
60 m	30.0	45.0	69.0	94.0	118.0*	-	-	-	
	22.0	67.0	102.0*	117.0*	-	-	-	-	
	24.0	59.0	91.0*	117.0*	-	-	-	-	
	26.0	53.0	82.0	110.0*	117.0*	-	-	-	
	28.0	48.0	74.0	100.0*	117.0*	-	-	-	
	30.0	43.0	68.0	92.0*	116.0*	-	-	-	
48 m	34.0	36.0	57.0	79.0	100.0*	109.0*	-	-	
	38.0	31.0	50.0	68.0	87.0*	96.0*	-	-	
	42.0	27.0	44.0	60.0	77.0	79.0	-	-	
	26.0	52.0	80.0*	85.0*	-	-	-	-	
	28.0	47.0	73.0*	85.0*	-	-	-	-	
	30.0	42.0	66.0	85.0*	-	-	-	-	
60 m	34.0	35.0	56.0	77.0*	85.0*	-	-	-	
	38.0	30.0	48.0	67.0	85.0*	-	-	-	
	42.0	26.0	42.0	59.0	76.0*	84.0*	-	-	
	46.0	22.0	37.0	52.0	67.0	73.0*	-	-	
	50.0	19.9	33.0	47.0	61.0	63.0	-	-	
	54.0	17.6	30.0	43.0	52.0	-	-	-	
54 m	24 m	30.0	41.0	61.0	-	-	-	-	
		34.0	34.0	55.0	61.0	-	-	-	
		38.0	28.0	47.0	61.0	-	-	-	
	36 m	42.0	24.0	41.0	57.0	61.0	-	-	
		46.0	21.0	36.0	51.0	60.0	-	-	
		50.0	18.1	32.0	46.0	56.0	-	-	
		54.0	15.7	28.0	41.0	52.0	-	-	
		58.0	13.7	25.0	37.0	47.0	-	-	
		62.0	11.9	23.0	34.0	42.0	-	-	

Main Boom	Fly Jib	m	0t	50t	100t	150t	175t	200t	225t
			t	t	t	t	t	t	t
42 m	24 m	18.0	93.0	138.0*	163.0*	-	-	-	-
		20.0	81.0	120.0*	160.0*	-	-	-	-
		22.0	71.0	106.0	141.0*	152.0*	-	-	-
		24.0	63.0	95.0	126.0*	144.0*	-	-	-
		26.0	57.0	85.0	114.0*	138.0*	-	-	-
		28.0	51.0	78.0	104.0	130.0*	-	-	-
	36 m	30.0	47.0	71.0	96.0	120.0*	-	-	-
		20.0	79.0	118.0*	130.0*	-	-	-	-
		22.0	69.0	104.0*	130.0*	-	-	-	-
		24.0	61.0	93.0	125.0*	130.0*	-	-	-
		26.0	55.0	84.0	112.0*	125.0*	-	-	-
		28.0	50.0	76.0	102.0*	119.0*	-	-	-
	48 m	30.0	45.0	69.0	94.0	114.0*	-	-	-
		34.0	38.0	59.0	80.0	101.0	-	-	-
		38.0	33.0	51.0	70.0	88.0	-	-	-
		42.0	28.0	45.0	62.0	74.0	-	-	-
		24.0	60.0	92.0*	93.0*	-	-	-	-
		26.0	54.0	82.0	93.0*	-	-	-	-
	60 m	28.0	48.0	75.0	93.0*	-	-	-	-
		30.0	44.0	68.0	92.0*	93.0*	-	-	-
		34.0	37.0	58.0	79.0	93.0*	-	-	-
		38.0	31.0	50.0	68.0	87.0*	91.0*	-	-
		42.0	27.0	44.0	60.0	77.0	82.0	-	-
		46.0	23.0	38.0	54.0	69.0	70.0	-	-
66 m	24 m	50.0	21.0	34.0	48.0	60.0	-	-	
		28.0	47.0	68.0	-	-	-	-	
		30.0	42.0	67.0	68.0	-	-	-	
	36 m	34.0	35.0	56.0	68.0	-	-	-	
		38.0	30.0	48.0	67.0	68.0	-	-	
		42.0	25.0	42.0	59.0	68.0	-	-	
		46.0	22.0	37.0	52.0	65.0	-	-	
		50.0	19.3	33.0	47.0	60.0	-	-	
		54.0	16.8	29.0	42.0	54.0	-	-	
	48 m	58.0	14.7	26.0	38.0	47.0	-	-	
		62.0	10.9	24.0	35.0	40.0	-	-	
		20.0	75.0	115.0*	138.0*	-	-	-	
22.0		66.0	101.0*	136.0*	138.0*	-	-		
24.0		58.0	90.0*	122.0*	138.0*	-	-		
26.0		52.0	81.0	110.0*	138.0*	-	-		
60 m	28.0	47.0	74.0	100.0*	126.0*	-	-		
	30.0	43.0	67.0	92.0*	116.0*	-	-		
	22.0	64.0	99.0*	105.0*	-	-	-		
	24.0	57.0	88.0*	105.0*	-	-	-		
	26.0	51.0	79.0*	105.0*	-	-	-		
	28.0	46.0	72.0*	98.0*	105.0*	-	-		
48 m	30.0	41.0	66.0	90.0*	105.0*	-	-		
	34.0	35.0	56.0	77.0*	98.0*	102.0*	-		
	38.0	29.0	48.0	67.0	85.0*	94.0*	-		
	42.0	26.0	42.0	59.0	75.0*	84.0*	-		
	26.0	50.0	76.0*	-	-	-	-		
	28.0	45.0	71.0*	76.0*	-	-	-		
60 m	30.0	40.0	65.0	76.0*	-	-	-		
	34.0	33.0	55.0	76.0*	-	-	-		
	38.0	28.0	47.0	66.0	76.0*	-	-		
	42.0	24.0	41.0	58.0	74.0*	76.0*	-		
	46.0	21.0	36.0	51.0	66.0	74.0*	-		
	50.0	18.5	32.0	46.0	60.0	65.0	-		
60 m	54.0	16.3	29.0	42.0	54.0	55.0	-		
	30.0	39.0	55.0	-	-	-	-		
	34.0	32.0	53.0	-	-	-	-		
	38.0	27.0	46.0	55.0	-	-	-		
	42.0	23.0	40.0	55.0	-	-	-		
	46.0	19.6	35.0	55.0	55.0	-	-		
60 m	50.0	16.8	31.0	44.0	54.0	-	-		
	54.0	14.5	27.0	40.0	50.0	-	-		
	58.0	12.5	24.0	36.0	46.0	-	-		
	62.0	10.8	22.0	33.0	42.0	-	-		
	66.0	9.4	20.0	30.0	37.0	-	-		

* Double hook block required



TEREX CC 2400

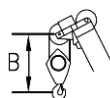
500 TON

Working speeds
Vitesses de travail

Arbeitsgeschwindigkeiten
Werksnelheden

Mechanisms Mécanismes Antriebe Aandrijvingen	Speeds Vitesses Geschwindigkeiten Snelheden	Rope diameter Diamètre du câble Seildurchmesser Kabeldiameter	Single line pull Effort sur brin simple Zulässiger Seilzug je strang Toegelaten trekkracht / part	Length of ropes Longueur des cables Länge der Seile Kabellänge
Main hoist 1 Levage sur flèche 1 Hubwerk 1 Hijlslier 1	Max 72 m/min	28 mm	125 kN	850 m
Luffing hoist Relevage de fléchette Wippwerk Toplier wipper	Max 72 m/min	28 mm	125 kN	850 m
Hoist A-frame Relevage chevalet Einziehwerk Lier A-frame	Max 40 m/min	28 mm		2 x 225 m
Slewing gear Orientation Drehwerk Zwenkwerk	1 RPM			
Travel speed Vitesse sur route Fahrgeschwindigkeit Rijsnelheid	Low 0 – 0.6 km/h High 0 – 1.2 km/h			

Hook Block / Crane hook Crochet mouflé / Crochet simple



Unterflasche / Hakengehänge Kraanblok / Kraanhaak

Capacity Capacité Tragfähigkeit Capaciteit	Number of sheaves Nombre de poulies Anzahl der Rollen Aantal schijven	Number of lines Nombre de brins Strangzahl Aantal parten	Weight Poids Gewicht Gewicht	"B"
SWL 500 t	2 x 11	2 x 22	9500 kg	4.6 m
SWL 220 t	2 x 4	2 x 9	7000 kg	4.5 m
SWL 250 t	11	22	5000 kg	4.6 m
SWL 125 t	6	13	3000 kg	4.5 m
SWL 42 t	1	3	2610 kg	2.7 m